

FOXROX
ELECTRONICS

OCTRON₃

ANALOG OCTAVE
Up and Down



THE ORIGINAL FOXROX OCTRON WAS PRODUCED FROM 2005 TO 2016. IN LATE 2016 IT WAS DISCONTINUED AND REPLACED WITH OCTRON3.

Octron3 is smaller and has two additional switches. These switches bring Octron's internal settings to the front panel. Aside from that, Octron3 uses the same circuitry as Octron. The switch selections have been fine-tuned to bring out Octron's best sounds, previously not possible without opening the unit.

OCTRON3 IS AN ANALOG OCTAVE PEDAL - NOT TO BE CONFUSED WITH A DIGITAL OCTAVE PEDAL.

OCTAVE UP: This effect is the product of distortion. It delivers some amazing sounds, but CLEAN is not one of them. Upper octave becomes more prominent on the high strings, above the 7th fret.

OCTAVE DOWN: The circuit is monophonic and has to recognize the notes you play in order to track well. Care must be taken with pickup selection, playing style and picking technique for the best tracking.

FOR MORE OCTRON INFORMATION VISIT www.FOXROXelectronics.com

FEATURES

DIRECT LEVEL: Controls the level of the direct signal while pedal is activated.

OCTAVE UP LEVEL: Controls the level of the Octave UP signal.

OCTAVE UP BRIGHT/PURE SWITCH: Selects between a bright sound, rich in harmonics and a darker sound with a more pure upper octave.

OCTAVE DOWN LEVEL: Controls the level of the Octave DOWN signal.

OCTAVE DOWN MIDS/LOW SWITCH: Selects between a mid-boost and a super-fat low end.

INPUT JACK: ¼" stereo jack. Disconnect Input to shut off battery.

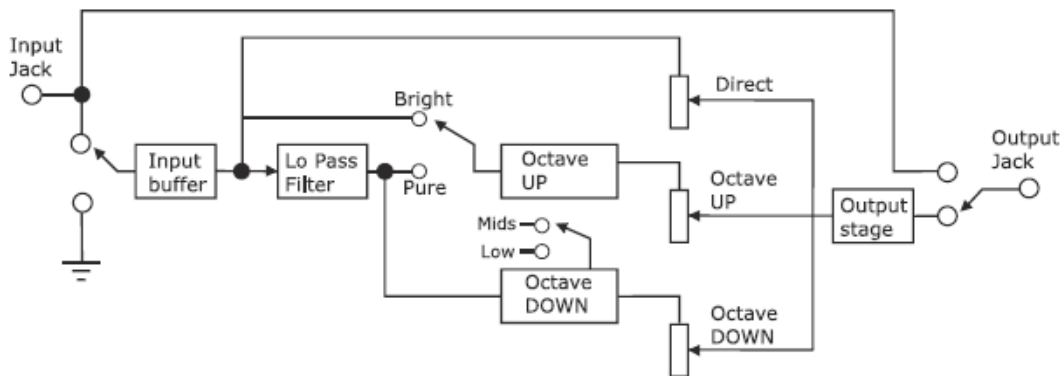
OUTPUT JACK: ¼" stereo jack. Stereo jack is used to maintain the same tension and feel as the Input jack.

BYPASS SWITCH W/LED: Yellow LED is on when effect is engaged. Switching is true-bypass, using 3PDT switch.

WARRANTY: FOXROX warranties this pedal for 5 years against failure. Parts and labor are covered. Warranty does not cover damage due to improper voltage, extreme abuse, and unauthorized modifications. For repair help write to service@FOXROXelectronics.com

OCTRON₃

FOXROX
ELECTRONICS



DIMENSIONS:

Width 3" Depth 4.8" Height 2.85"

WEIGHT:

1.3 lbs. (without 9V battery)

VOLTAGE:

9-18 Volts DC (via battery or external power)

CURRENT DRAW:

12 mA

POWER CONNECTION:

2.1 mm, Center Negative (FX Standard)