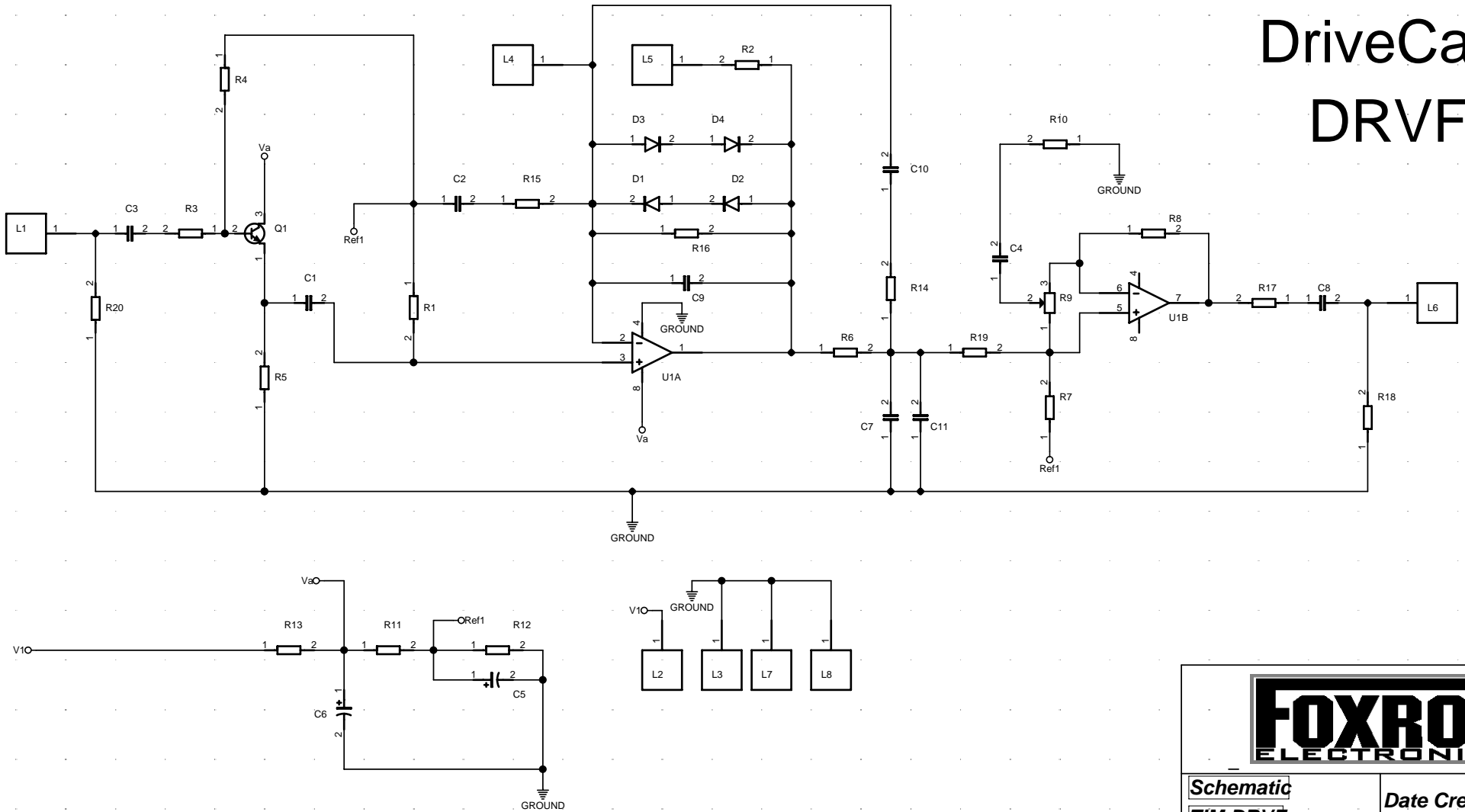


DriveCard DRVF



FOXROX
ELECTRONICS

Schematic
ZIM DRVF
by:
Dave Fox

Date Created:
05/12/03