



Schematics and circuit board image for ZIMcard DRVF

Included in this file:

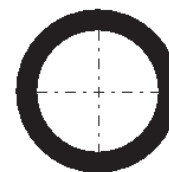
- ZIMcard pin out
- ZIMcard DRVF circuit board image
- ZIMcard DRVF Schematic without values
- T9 ZIMcard schematic diagram
- B9 ZIMcard schematic diagram
- H9 ZIMcard schematic diagram
- CS ZIMcard schematic diagram
- VT ZIMcard schematic diagram



ZIMCARD

- ① L2 V+
- ① L6 OUTPUT
- ① L7 GROUND
- ① L4 DRIVE POT
- ① L5 DRIVE POT
- ① L3 GROUND
- ① L1 INPUT
- ① L8 GROUND

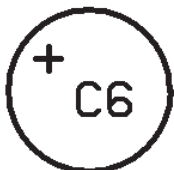
DRVF  
Foxrox  
Electronics



ZIMCARD

R13

R11



R18

R12

R20

C3



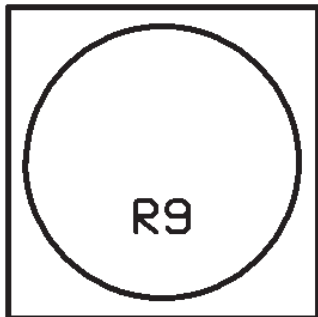
R3

R5

C1

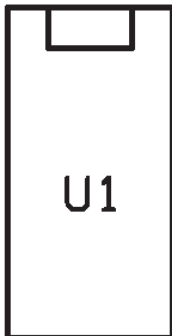
R1

R4



R10

C4



C11

C7

D3

D1

R2

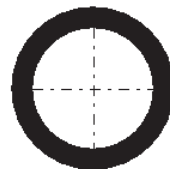
D4

D2

C8

C9

DRVF  
Foxrox  
Electronics



R17

R6

R16

R8

R19

R14

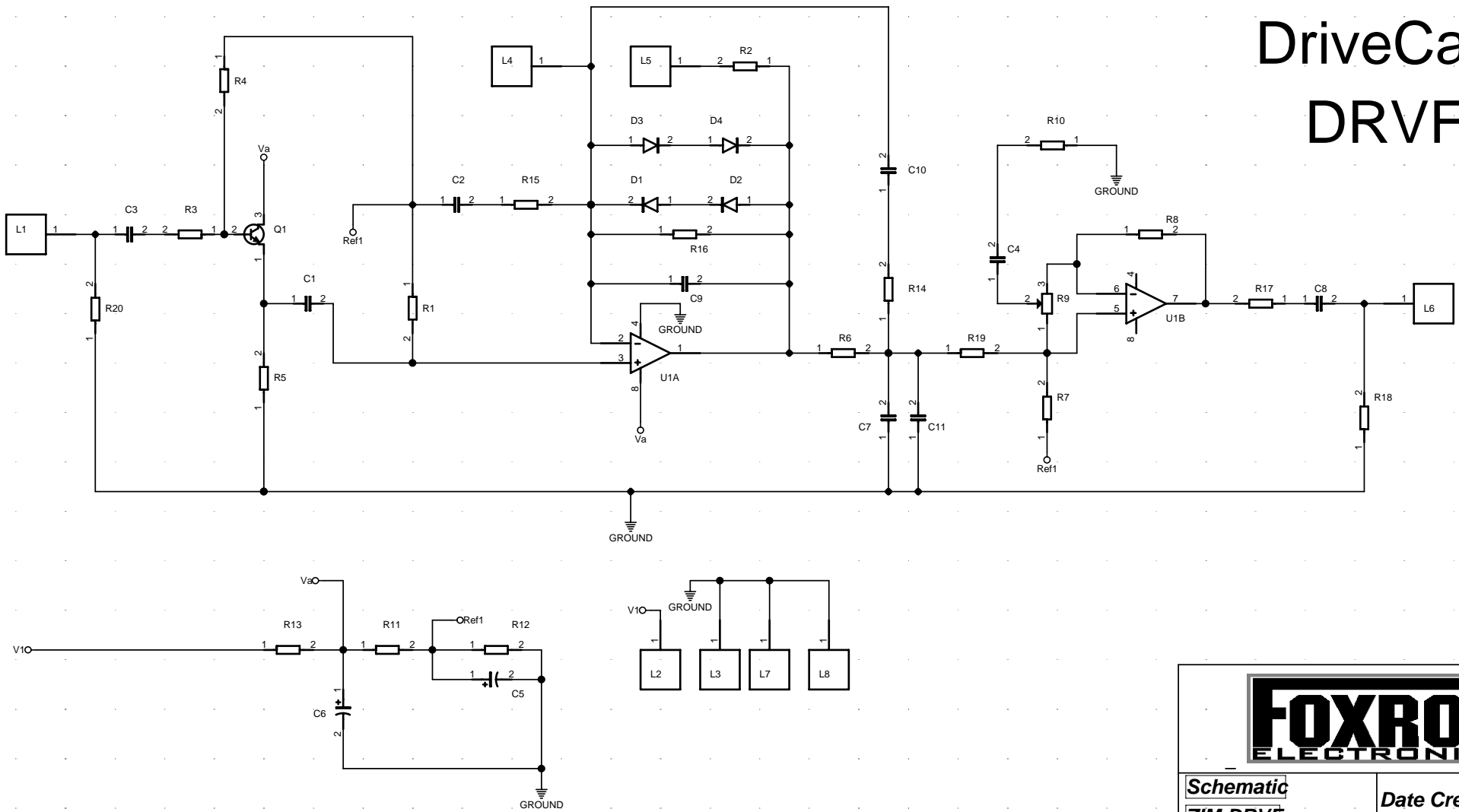
R15

R7

C2

C10

# DriveCard DRVF

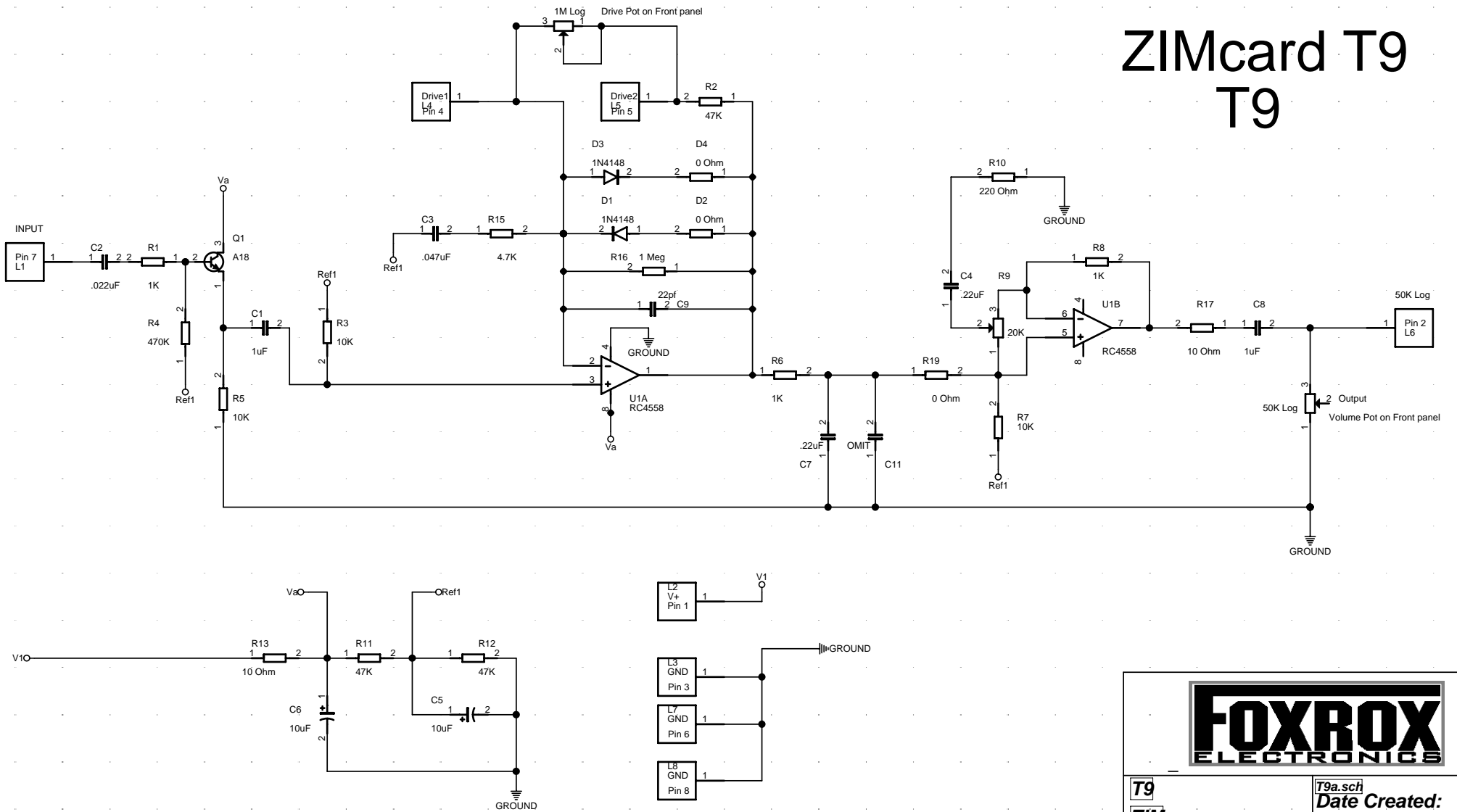


**FOXROX**  
ELECTRONICS

Schematic  
ZIM DRVF  
by:  
Dave Fox

Date Created:  
05/12/03

# ZIMcard T9 T9

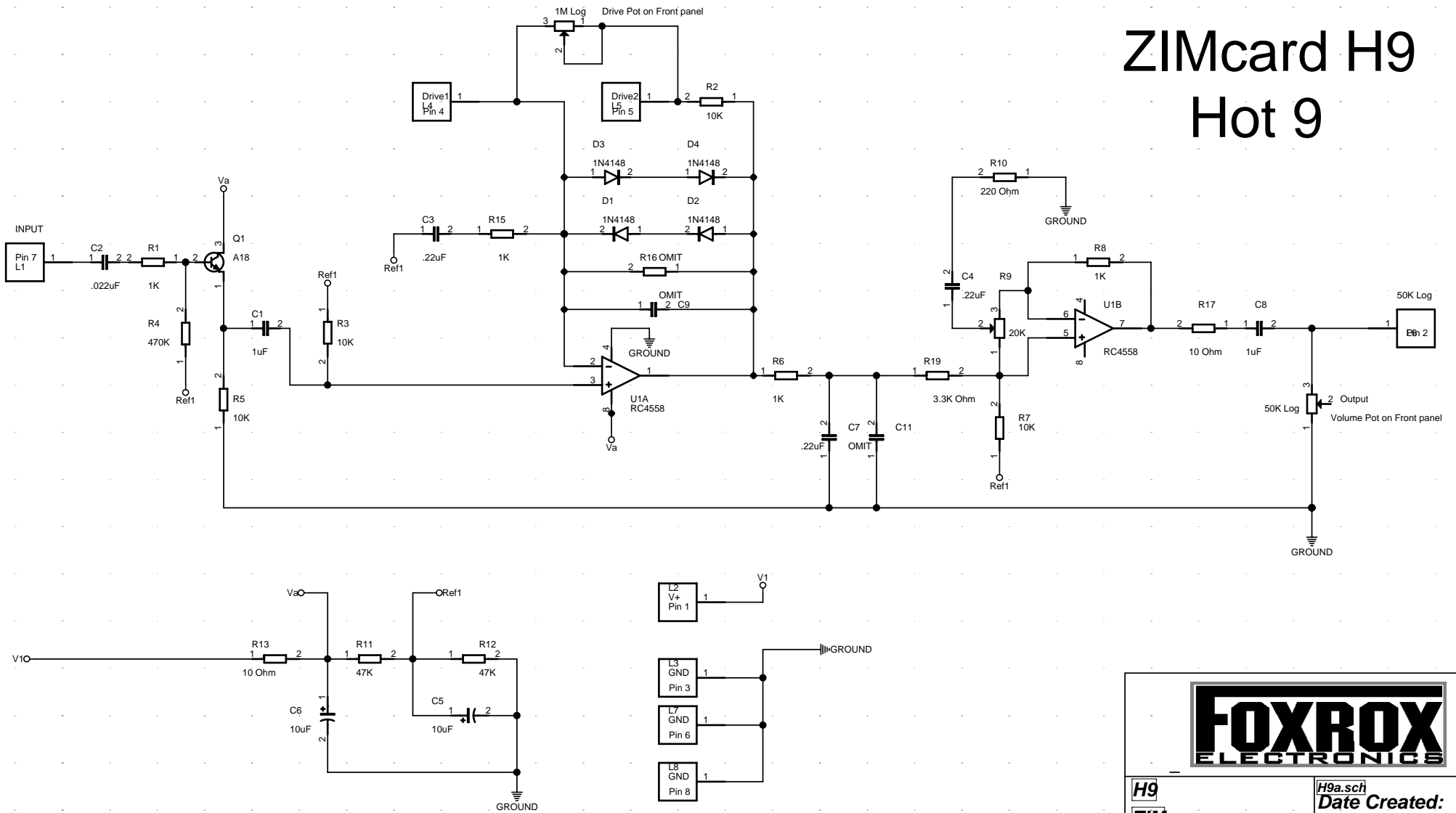


T9  
ZIM  
by:  
Dave Fox

T9a.sch  
Date Created:  
05/12/02



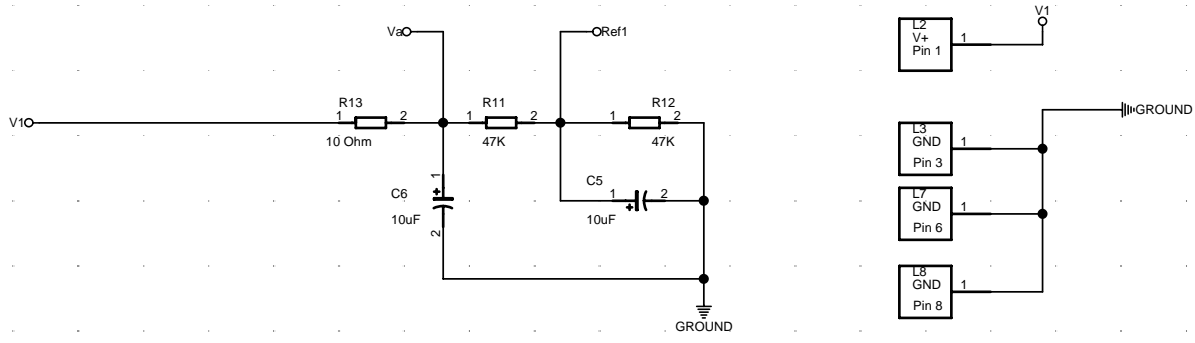
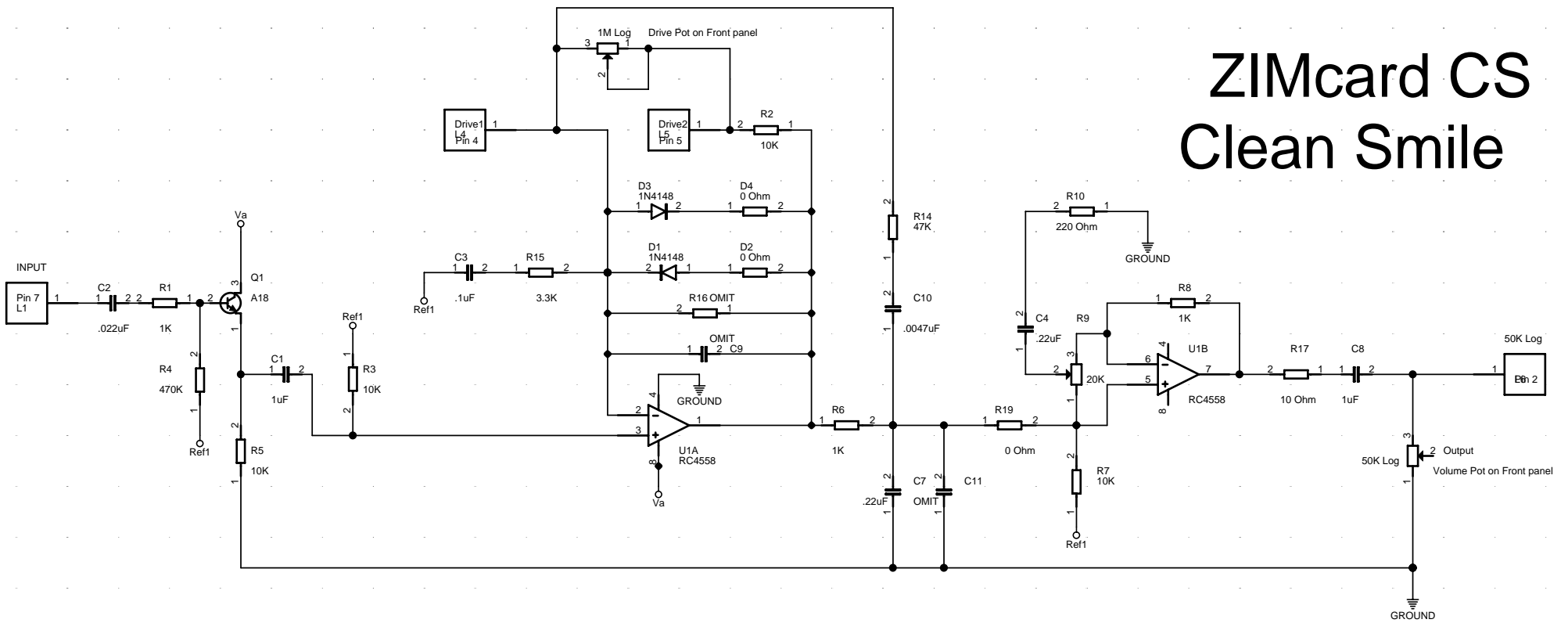
# ZIMcard H9 Hot 9



H9  
ZIM  
by:  
Dave Fox

H9a.sch  
Date Created:  
05/12/02

# ZIMcard CS Clean Smile

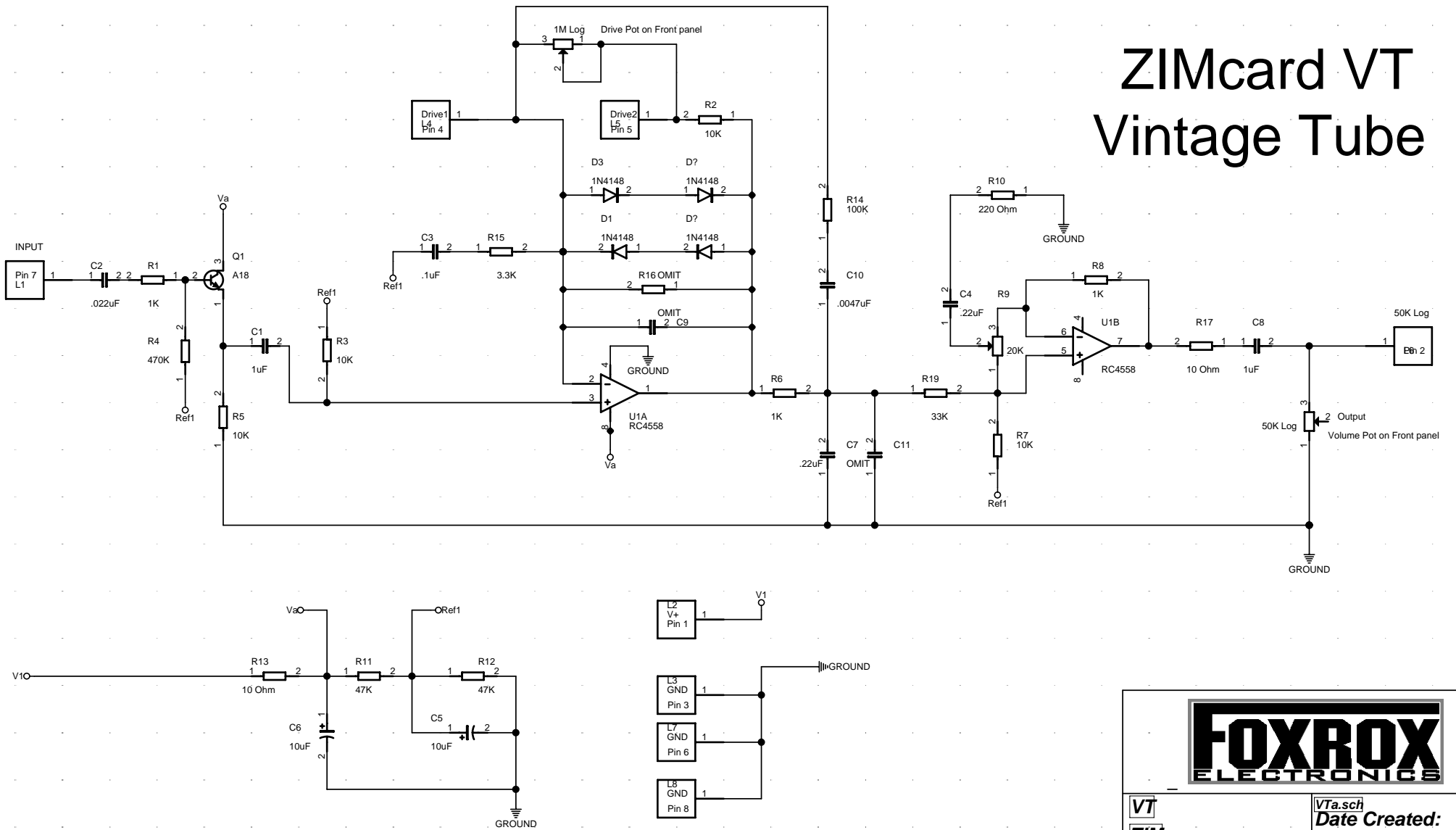


CS  
ZIM  
by:  
Dave Fox

CSa.sch  
Date Created:  
05/12/02



# ZIMcard VT Vintage Tube



**FOXROX**  
ELECTRONICS

VT  
ZIM  
by:  
Dave Fox

VTa.sch  
Date Created:  
05/12/02